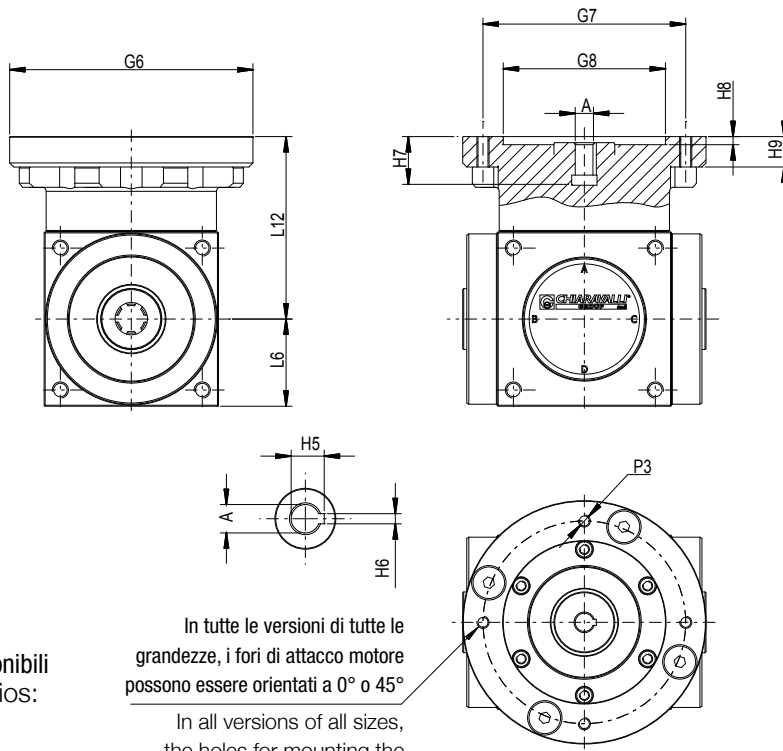


| Serie CHQ Series | Flangia Flange | Diametri prese di forza PTO diameters | | | Dimensioni Flange PAM PAM Flanges dimensions | | | | | | | | | |
|-------------------------------|-------------------|--|---------------------------------------|-----|---|-----|-----|-----|------|----|-----|----|----|-----|
| | | A Ø h7 | B - C scanalato UNI UNI grooved | G6 | G7 | G8 | L6 | L12 | H5 | H6 | H7 | H8 | H9 | P3 |
| 86 | 56 B5 | 9 | 6x13x16 | 120 | 100 | 80 | 43 | 90 | 10.4 | 3 | 23 | 4 | 11 | M6 |
| | 63 B5 | 11 | | 140 | 115 | 95 | | | 12.8 | 4 | 23 | 4 | 11 | M8 |
| | 71 B5 | 14 | | 160 | 130 | 110 | | | 16.3 | 5 | 30 | 4 | 11 | M8 |
| | 71 B14 | 14 | | 105 | 85 | 70 | | | 16.3 | 5 | 30 | 4 | 10 | 7 |
| | 80 B5 | 19 | | 200 | 165 | 130 | | | 21.8 | 6 | 40 | 5 | 11 | M10 |
| | 80 B14 | 19 | | 120 | 100 | 80 | | | 21.8 | 6 | 40 | 5 | 11 | 7 |
| 110 | 63 B5 | 11 | 6x18x22 | 140 | 115 | 95 | 55 | 105 | 12.8 | 4 | 23 | 4 | 11 | M8 |
| | 71 B5 | 14 | | 160 | 130 | 110 | | | 16.3 | 5 | 30 | 4 | 11 | M8 |
| | 71 B14 | 14 | | 105 | 85 | 70 | | | 16.3 | 5 | 30 | 4 | 11 | 7 |
| | 80 B5 | 19 | | 200 | 165 | 130 | | | 21.8 | 6 | 40 | 5 | 11 | M10 |
| | 80 B14 | 19 | | 120 | 100 | 80 | | | 21.8 | 6 | 40 | 5 | 11 | 7 |
| | 80 B5 | 19 | | 160 | 130 | 110 | | | 21.8 | 6 | 40 | 5 | 11 | 7 |
| 134 | 71 B5 | 14 | 6x21x25 | 200 | 165 | 130 | 67 | 125 | 16.3 | 5 | 30 | 4 | 13 | M8 |
| | 80 B5 | 19 | | 140 | 115 | 95 | | | 21.8 | 6 | 40 | 5 | 13 | M10 |
| | 80 B14 | 19 | | 120 | 100 | 80 | | | 21.8 | 6 | 40 | 5 | 13 | 7 |
| | 90 B5 | 24 | | 200 | 165 | 130 | | | 27.3 | 8 | 50 | 5 | 13 | M10 |
| | 90 B14 | 24 | | 140 | 115 | 95 | | | 27.3 | 8 | 50 | 5 | 13 | 9 |
| | 100-112 B5 | 28 | | 250 | 215 | 180 | | | 31.3 | 8 | 60 | 5 | 13 | M12 |
| 166 | 100-112 B14 | 28 | 6x28x34 | 160 | 130 | 110 | 83 | 160 | 31.3 | 8 | 60 | 5 | 13 | 9 |
| | 71 B5 | 14 | | 160 | 130 | 110 | | | 16.3 | 5 | 30 | 4 | 15 | M8 |
| | 80 B5 | 19 | | 200 | 165 | 130 | | | 21.8 | 6 | 40 | 5 | 15 | M10 |
| | 90 B5 | 24 | | 200 | 165 | 130 | | | 27.3 | 8 | 50 | 5 | 15 | M10 |
| | 100-112 B5 | 28 | | 250 | 215 | 180 | | | 31.3 | 8 | 60 | 5 | 15 | M12 |
| | 100-112 B14 | 28 | | 160 | 130 | 110 | | | 31.3 | 8 | 60 | 5 | 15 | 9 |
| 200 | 90 B5 | 24 | 8x36x42 | 200 | 165 | 130 | 100 | 220 | 27.3 | 8 | 50 | 5 | 23 | M10 |
| | 100-112 B5 | 28 | | 250 | 215 | 180 | | | 31.3 | 8 | 60 | 5 | 23 | M12 |
| | 132 B5 | 38 | | 300 | 265 | 230 | | | 41.3 | 10 | 80 | 6 | 23 | M12 |
| | 132 B14 | 38 | | 200 | 165 | 130 | | | 41.3 | 10 | 80 | 6 | 23 | 11 |
| 250 | 132 B5 | 38 | 8x46x54 | 300 | 265 | 230 | 125 | 250 | 41.3 | 10 | 80 | 6 | 25 | M12 |
| | 132 B14 | 38 | | 200 | 165 | 130 | | | 41.3 | 10 | 80 | 6 | 25 | 11 |
| | 160 B5 | 42 | | 350 | 300 | 250 | | | 45.8 | 12 | 110 | 6 | 25 | M16 |

Per tutte le dimensioni non quotate fare riferimento alle dimensioni dello schema Tipo 5.
For all non-quoted dimensions, please refer to those of the Type 5 table.



Rapporti disponibili
Available ratios:

- R 1:1
- R 1:1.5
- R 1:2
- R 1:3
- R 1:4



Rotazioni forma costruttiva TIPO 15
TYPE 15 constructive form revolutions