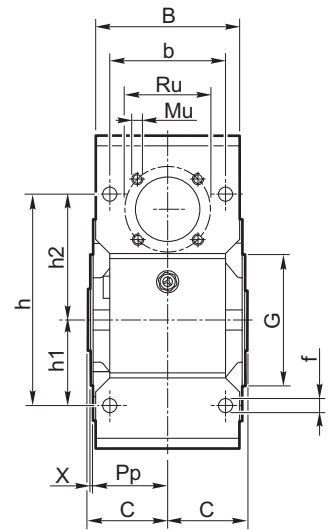
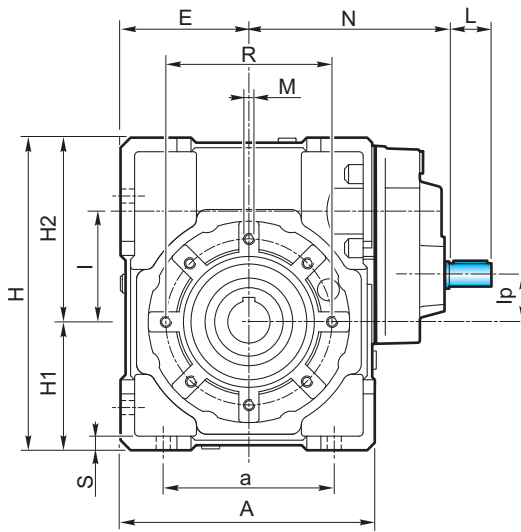


4.7 Dimensioni

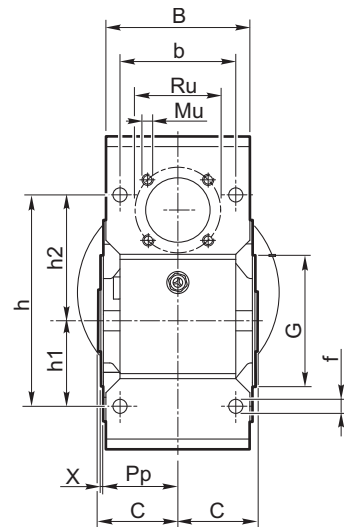
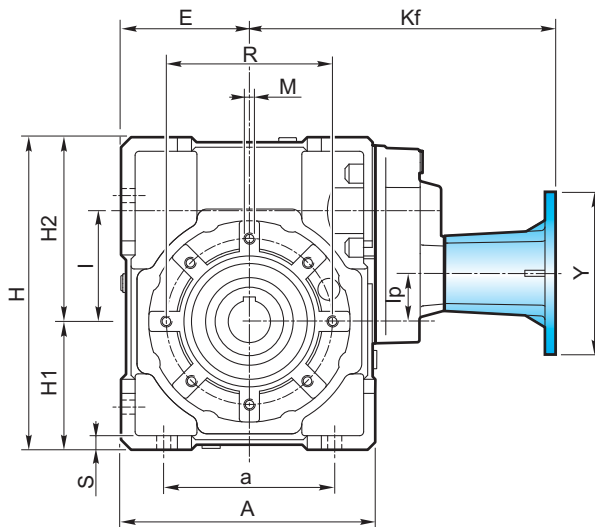
4.7 Dimensions

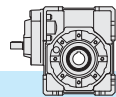
4.7 Abmessungen

HA



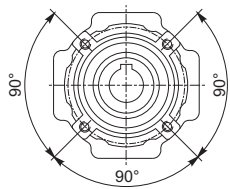
HF





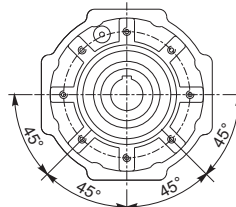
Flangia pendolare / Shaft-mounted flange / Aufsteckflansch

40 - 50



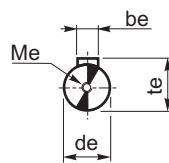
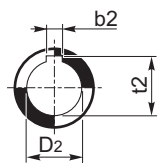
4 Fori / Holes / Bohrungen

63 - 75 - 90 - 110



8 Fori / Holes / Bohrungen

Albero uscita cavo
Output hollow shaft
Abtriebshohlwelle



Albero entrata
Input shaft
Antriebswelle

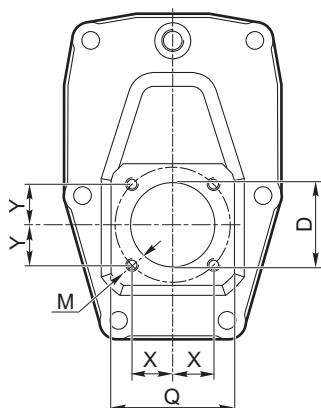
H	A	a	B	b	b _e	b ₂	C	d _e j6	D ₂ H7	E	f	G h8	H	H ₁	H ₂	h	h ₁	h ₂		
40	105	70	71	60	3	6	6	39	9	18	19	50	6.5	60	125	50	75	90	35	55
50	125	80	85	70	4	8	8	46	11	25	24	60	8.5	70	150	60	90	104	40	64
63	147	100	103	85	5	8	—	56	14	25	—	72	9	80	182	72	110	130	50	80
75	176	120	112	90	6	8	8	60	19	28	30	86	11	95	219.5	86	133.5	153	60	93
90	203	140	130	100	6	10	—	70	19	35	—	103	13	110	248.5	103	145.5	172	70	102
110	252.5	170	143	115	8	12	—	77.5	24	42	—	127.5	14	130	310.5	127.5	183	210	85	125

H	I	I _p	L	M	M _e	M _u	N	P _p	R	R _u	S	t _e	t ₂	X	
40	40	5	15	M6X10	M4X12	M5X10	91.5	36.5	75	42.4	6	10.2	20.8	21.8	1.5
50	50	10	20	M8x10	M4x12	M6x10	104.5	43.5	85	53.7	7	12.5	28.3	27.3	1.5
63	63	16.5	25	M8x14	M4x10	M6x12	121	53	95	60.8	8	16	28.3	—	2
75	75	22	30	M8x14	M6x16	M8x12	147.75	57	115	70.7	10	21.5	31.3	33.3	2
90	90	37	30	M10x18	M6x16	M8x14	157.75	67	130	70.7	12	21.5	38.3	—	2
110	110	47	40	M10x18	M8x22	M10x18	196.5	74	165	85.0	14	27	45.3	—	2.5

Dimensioni attacco flangia entrata

Dimensions of the input mounting flange

Abmessungen des Eintriebsflansches



H	D	M	Q	X	Y
40	26	M5x9	40	12.5	12.5
50	32	M5x9	45	15	15
63	40	M6x12	53	19	19
75	47	M6x12	62	21.5	21.5
90	47	M6x12	62	21.5	21.5
110	52	M8x15	75	25	25