

RP

RIDUTTORI PER SISTEMI DI ALIMENTAZIONE GEARBOXES FOR FEEDING SYSTEMS GETRIEBE FÜR FUTTERUNGSANLAGEN



MRP - Riduttore

con motore IEC

FRP - Riduttore

con flangia entrata IEC

- Potenze da 0.25 a 1.1 kW
- Rapporti da 2.5 a 7.9
- Coppie uscita da 21 a 35 Nm



MRP - Speed reducer

with IEC motor

FRP - Speed reducer

with IEC input

- Powers 0.25 to 1.1 kW
- Reduction ratios 2.5 to 7.9
- Output torques 21 to 35 Nm



MRP - Stirnradgetriebe

mit IEC Motoren

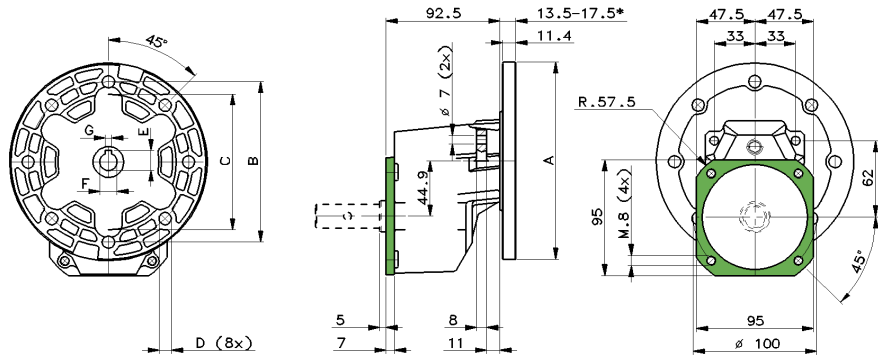
FRP - Stirnradgetriebe

mit IEC Motorflansch

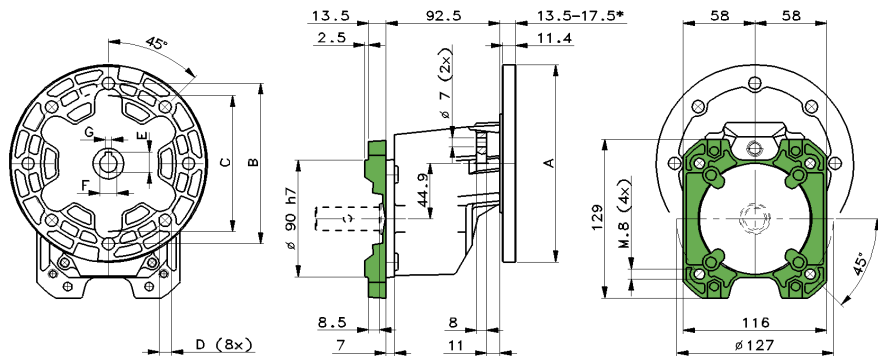
- Leistungen von 0.25 bis 1.1 kW
- Untersetzungen von 2.5 bis 7.9
- Ausgangsdrehmoment von 1.5 bis 64 Nm

DIMENSIONI DI INGOMBRO OVERALL DIMENSIONS ABMESSUNGEN

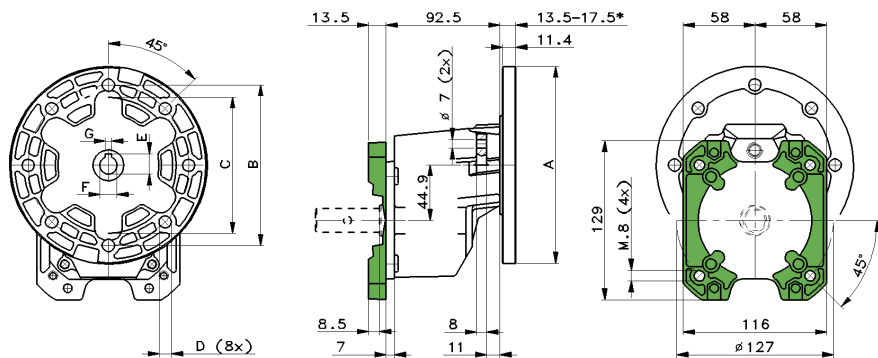
FRP71 B5/1



FRP71 SQ



FRP71 SQ/1

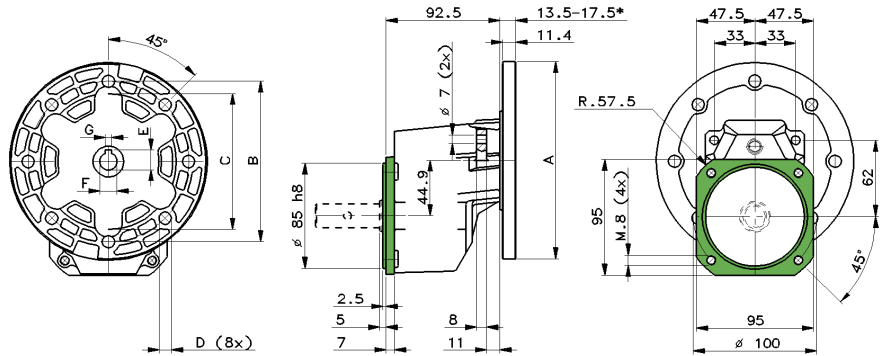


* - Solo / Only / Nur IEC71-B14

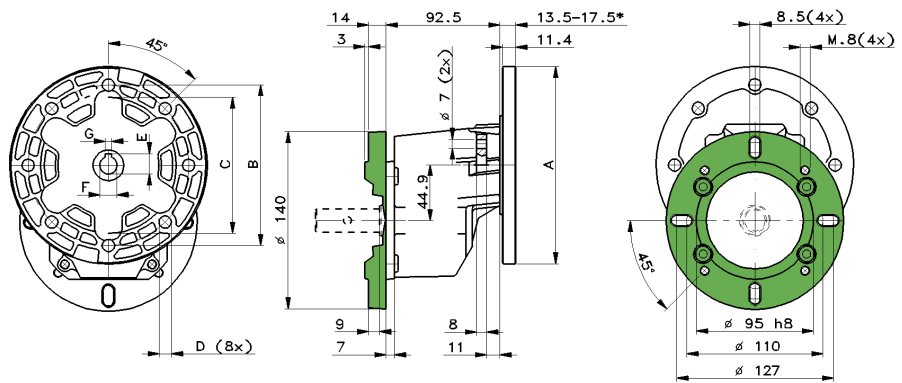
	IEC 71		IEC 80	
	B5	B14	B5	B14
A	160	105	200	120
B	130	85	165	100
C _{E8}	110	70	130	80
D	10	7	10	7
E	16.3	16.3	21.8	21.8
F _{E8}	14	14	19	19
G	5	5	5	5

**DIMENSIONI DI INGOMBRO
OVERALL DIMENSIONS
ABMESSUNGEN**

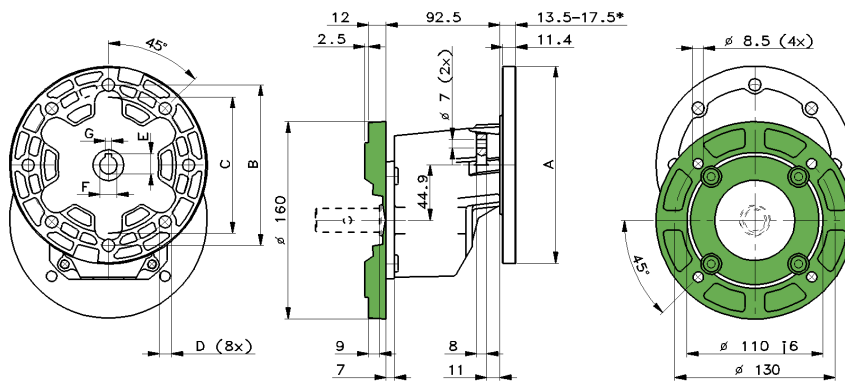
FRP71 B5



FRP71 B5/140

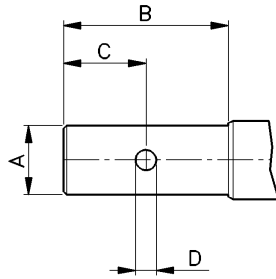


FRP71 B5/160

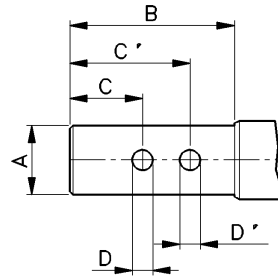


* - Solo / Only / Nur IEC71-B14

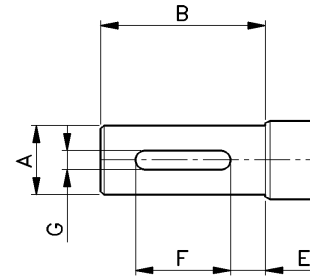
	IEC 71		IEC 80	
	B5	B14	B5	B14
A	160	105	200	120
B	130	85	165	100
C _{E8}	110	70	130	80
D	10	7	10	7
E	16.3	16.3	21.8	21.8
F _{E8}	14	14	19	19
G	5	5	5	5



Ref. No. 1



Ref. No. 2



Ref. No. 3

Opzioni
Options
Optionen

FRP71B5 - FRP71B5/1 - FRP71 B5/140 - FRP71B5/1

N. Codice Code No. Artikel Nr.	Ref. No.	A	B	C	C'	D	D'	E	F	G
904	2	22	52	23	38	6.5	6.5	---	---	---
905	1	22	52	23	---	8.5	---	---	---	---
906	3	19	40	---	---	---	---	5	30	6
908	1	22	52	20	---	6.0	---	---	---	---
909	1	19.7	100	50	---	6.0	---	---	---	---
913	1	22	52	26	---	6.5	---	---	---	---
914	1	22	80	15	---	8.5	---	---	---	---
915	1	19	77	38.5	---	6.0	---	---	---	---
916	1	19	40	14	---	8.5	---	---	---	---
917	1	20	85	45	---	6.5	---	---	---	---
919 & 919.001*	1	20	84	30	---	6.0	---	---	---	---
923	1	19.7	100	50	---	6.5	---	---	---	---
924	3	20	40	---	---	---	---	5	30	6
925	1	22	54	20	---	8.0	---	---	---	---
926	1	20	40	20	---	8.5	---	---	---	---
928 & 928.001*	1	21	52	23	---	6.0	---	---	---	---
929	2	20	84	30	40	7.0	7.0	---	---	---
930 & 930.001*	1	21.6	80	15	---	8.5	---	---	---	---
934	1	18.8	80	15	---	8.5	---	---	---	---
935 & 935.001*	1	20	52	23	---	6.5	---	---	---	---
938	2	19.7	100	30	50	6.0	6.0	---	---	---
943.001*	3	20	40	---	---	---	---	5	30	6
944.001*	1	20	50	25	---	6.0	---	---	---	---

FRP71SQ - FRP71SQ/1

918	1	16	50	21	---	7.0	---	---	---	---
921	1	19	57	23	---	6.5	---	---	---	---
922	1	22	57	23	---	8.5	---	---	---	---
932	1	19	57	23	---	6.5	---	---	---	---
933	1	22	57	23	---	8.5	---	---	---	---
936	1	21	57	23	---	6.0	---	---	---	---
940	1	16	50	21	---	6.5	---	---	---	---

Altre estremità d'albero a richiesta - Other shaft ends on demand - Andere Ausgangswellen auf Anfrage

9xx.001* - FRP71 B5/140 & FRP71 B5/160 - Solo / Only / Nur