



QUICK SELECTION / Selezione veloce

input speed (n_1) = 1400 min⁻¹

Output Speed n_2 [min ⁻¹]	Ratio i	Motor power P_{1M} [kW]	Output torque M_{2M} [Nm]	Service factor $f.s.$	Nominal power P_{1R} [kW]	Nominal torque M_{2R} [Nm]	Available B5 motor flanges					Available B14 motor flanges				Output Shaft 	Ratios code
							B	C	D	E	F	Q	R	T	U		
							63	71	80	90	100	112	71	80	90		
167	8.38	4	215	1.0	4.1	225	B					C	C			2821	01
139	10.04	3	194	1.2	3.7	240	B					C	C			2818	02
114	12.33	3	238	1.1	3.2	260	B					C	C			2813	03
92	15.16	2.2	215	1.2	2.6	260	B					C	C			1921	04
80	17.57	2.2	250	1.1	2.3	270	B					C	C			1721	05
77	18.16	2.2	258	1.1	2.4	290	B					C	C			1918	06
67	21.05	2.2	299	1.1	2.3	320	B					C	C			1718	07
63	22.30	2.2	317	1.0	2.2	320	B					C	C			1913	08
57	24.70	2.2	351	0.9	2.0	320	B					C	C			1518	09
54	25.85	2.2	367	0.9	1.9	320	B					C	C			1713	10
47.5	29.49	1.5	289	1.1	1.7	320	B					C	C			1318	11
46.1	30.34	1.5	297	1.1	1.6	320	B					C	C			1513	12
41.7	33.60	1.1	240	1.0	1.1	250	B					C	C			1021	13
38.7	36.21	1.1	259	1.2	1.3	320	B					C	C			1313	14
34.8	40.25	1.1	288	1.0	1.1	300	B					C	C			1018	15
28.3	49.43	1.1	354	0.9	0.99	320	B					C	C			1013	16
26.7	52.53	0.75	258	1.0	0.76	260	B					C	C			918	17
21.7	64.51	0.75	317	1.0	0.75	315	B					C	C			913	18
20.2	69.37	0.37	168	1.1	0.42	190	B					C	C			718	19
16.4	85.19	0.37	206	1.1	0.41	230	B					C	C			713	20

The dynamic efficiency is **0.96** for all ratios

- Motor Flanges Available**
Flange Motore Disponibili
- B) Supplied with Reduction Bushing**
Fornito con Bussola di Riduzione
- B) Available on Request without reduction bushing**
Disponibile a Richiesta senza Bussola di Riduzione
- C) Motor Flange Holes Position**
Posizione Fori Flangia Motore

6

EN Unit **502C** is supplied with synthetic oil for lifetime lubrication, no maintenance is necessary. See table 1 for lubrication and recommended quantity. In table 2 please see possible radial loads and axial loads on the gearbox.

I Il riduttore **502C** viene fornito completo di olio sintetico per la lubrificazione permanente e non necessita di alcuna manutenzione. Vedi tab.1 per oli e quantità consigliati. In tab.2 sono presenti i carichi radiali e assiali applicabili al riduttore.

D Das Getriebe **502C** ist mit synthetischem Öl gefüllt und ist lebensdauergeschmiert. In Tabelle 1 ist die Schmiermenge und das empfohlene Schmiermittel angegeben. In Tabelle 2 sind die zulässigen Radial- und Axialbelastungen des Getriebes aufgeführt.

F Le réducteur **502C** est fourni complet avec de l'huile synthétique pour la lubrification permanente et ne nécessite aucun entretien. Voir tableau 1 concernant les huiles et les quantités conseillées. Les charges radiales et axiales applicables au réducteur sont précisées dans le tableau 2.

E El reductor tamaño **502C** se suministra, lubricado de por vida con aceite sintético y no requieren mantenimiento alguna. Ver tabla 1, para cantidades y aceites recomendados. En la tabla 2, se encuentran las cargas radiales y axiales admitidas por el reductor.

Standard supplied	For these mounting position specify in the order or add oil					
	Per queste posizioni specificare in fase d'ordine o aggiungere olio					
1.25 LT	0.80 LT	0.80 LT	0.70 LT	1.40 LT	0.80 LT	Ask
AGIP Telium VSF 320			SHELL Omala S4 WE 320			

For all details on lubrication and plugs check our website **tab. 1**
Per maggiori dettagli su lubrificazione e tappi olio vedi il nostro sito web

RADIAL AND AXIAL LOADS

Output shaft
Albero di uscita

$F_{eq} = FR \cdot \frac{56.5}{X+26.5}$

$F_{eq} (N)$

n_2	FA	FR	n_2	FA	FR	n_2	FA	FR
300	500	2500	140	640	3200	70	820	4100
250	540	2700	120	680	3400	40	1020	5100
200	580	2900	85	760	3800	15	1100	5500

On request reinforced bearings to increase loads.
A richiesta cuscinetti rinforzati per aumentare i carichi.

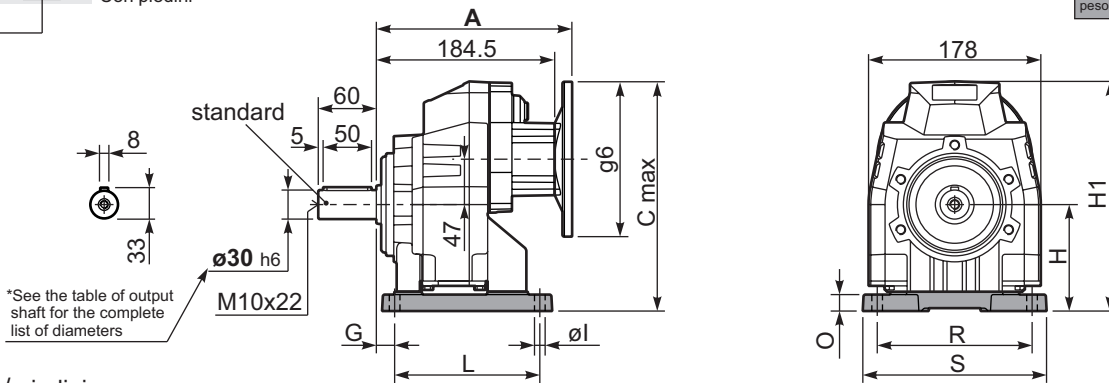
Input shaft
Albero in entrata

n_1	FA	FR
1400	240	1200
900	280	1400
500	340	1700

tab. 2

P502C**S4**... With feet
Con piedini

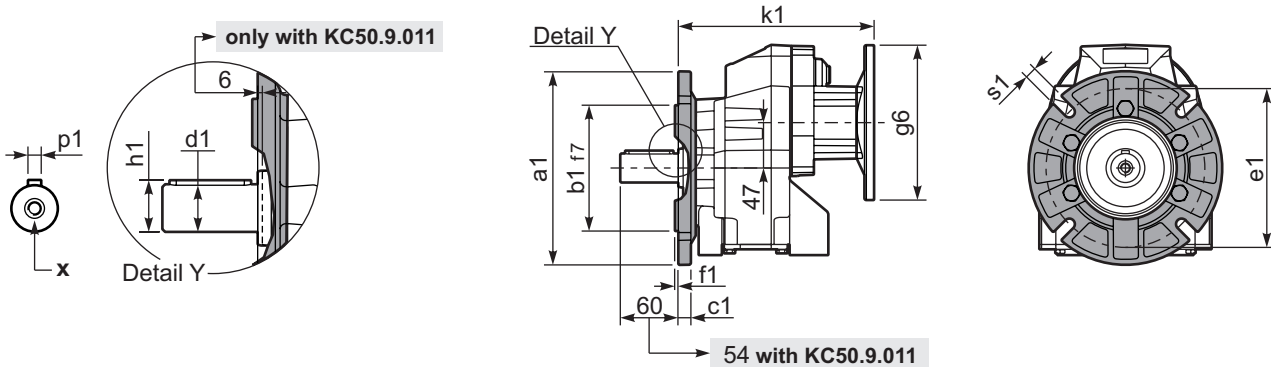
Gearbox weight **15.0 kg**
peso riduttore With flange
With feet **17.0 kg**



Feet / piedini

Feet Code	Market reference	G	H	R	L	S	H1	O	øl	B5 max. Flange	kit code
B3	312/3	18	110	160	130	190	237	17	11	-	C50C.9.022
S4	47	30	115	135	165	170	242	22	13.5	-	C50C.9.024
-	-	-	-	-	-	-	-	-	-	-	-
-	-	-	-	-	-	-	-	-	-	-	-
-	-	-	-	-	-	-	-	-	-	-	-

P502C-**F**... Output flanges
flange di uscita



*Available output shaft / Albero di uscita

	Shaft - d1	p1	h1	x
Standard	ø 30x60	8	33	M10x22
On request A richiesta	ø 35x70	10	38	M10x22
	-	-	-	-

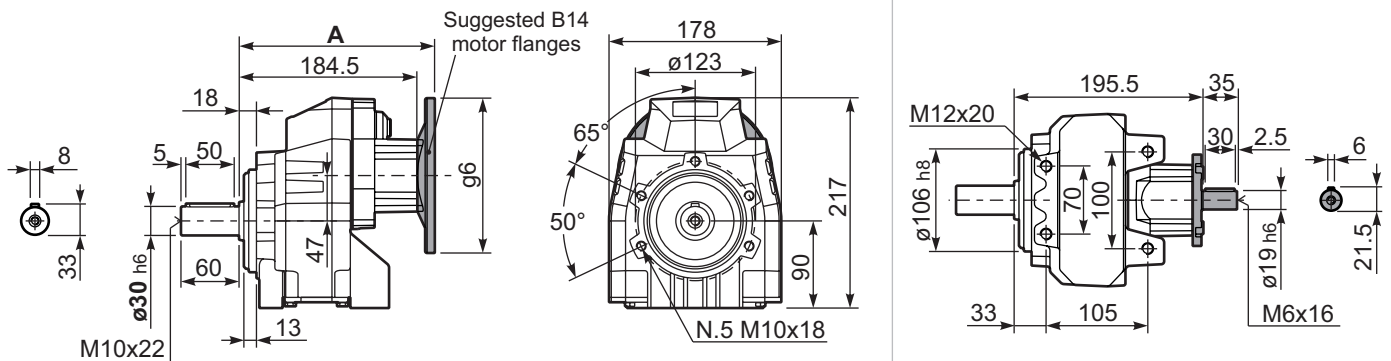
Available output flanges / flange di uscita

a1 ø	b1	c1	e1	f1	s1	kit code
160	110	14	130	3.5	11	KC50.9.011
200	130	13	165	3.5	11	KC50.9.012
250	180	15.5	215	4	14	KC50.9.013

With flange and feet only on request. Ask for compatibility

P502C-**N**... Basic gearbox
Riduttore base

R502C-**N**... Input Shaft
Albero in entrata



B5 Motor Flanges	A	C _{max}	g6	k1	kit code	k1 with KC50.9.011
63 B5	205	232	140	205	K063.4.041	211
71 B5	203	242	160	203	K063.4.042	209
80/90 B5	205	262	200	205	K063.4.043	211
100/112 B5	220.3	287	250	220.3	KC40.4.043	226.3

B14 Motor Flanges	A	C _{max}	g6	k1	kit code	k1 with KC50.9.011
71 B14	203	214.5	105	203	K063.4.047	209
80 B14	205	222	120	205	K063.4.046	211
90 B14	205	232	140	205	K063.4.041	211
100/112 B14	220.3	242	160	220.3	KC40.4.041	226.3