

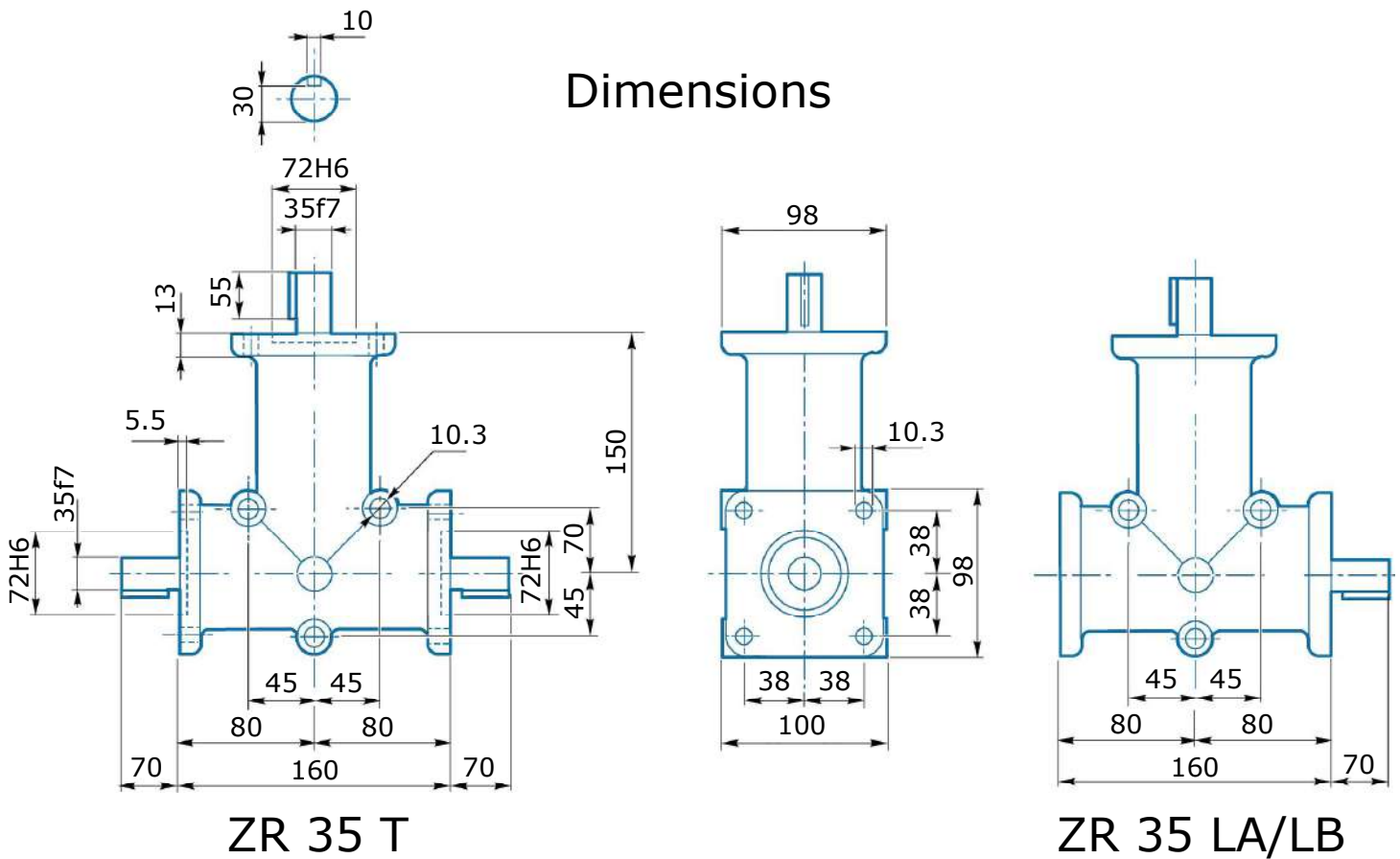
ZR 35

Technical data

Type	i	2800 (min1)				1400 (min1)				900 (min1)				700 (min1)				RD	Kg
		Max.*		Norm.		Max.*		Norm.		Max.*		Norm.		Max.*		Norm.			
		T2m* (Nm)	P1m* (kW)	T2n (Nm)	P1n (kW)	T2m* (Nm)	P1m* (kW)	T2n (Nm)	P1n (kW)	T2m* (Nm)	P1m* (kW)	T2n (Nm)	P1n (kW)	T2m* (Nm)	P1m* (kW)	T2n (Nm)	P1n (kW)		
ZR35	1	43	14	36	11	52	7,7	49,2	7,5	60	5,0	55	5,5	71	3	53	4,0	0,97	8,8
	2	36	11	36	5,5	43	6,4	40	3,0	50	4,0	44	2,2	60	2,5	59	2,2	0,97	

Important! * The maximum permissible values are indicated, for a quiet operating mode, with safety clutches and a soft start.

Dimensions



Shafts position and direction of rotation

