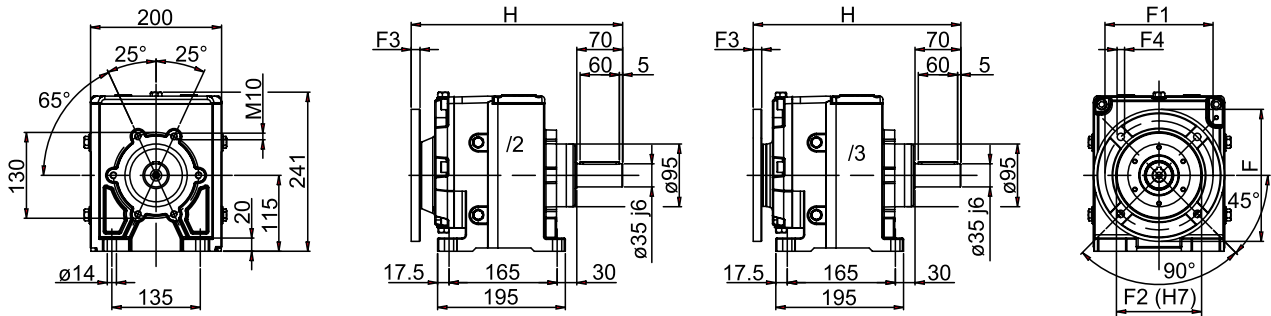


MNHL 35 PAM - MOTORIDUTTORE P.A.M.

MNHL 35 PAM - ARRANGED GEARED MOTORS

MNHL 35 PAM - GETRIEBE ZUM I.E.C. MOTORANBAU

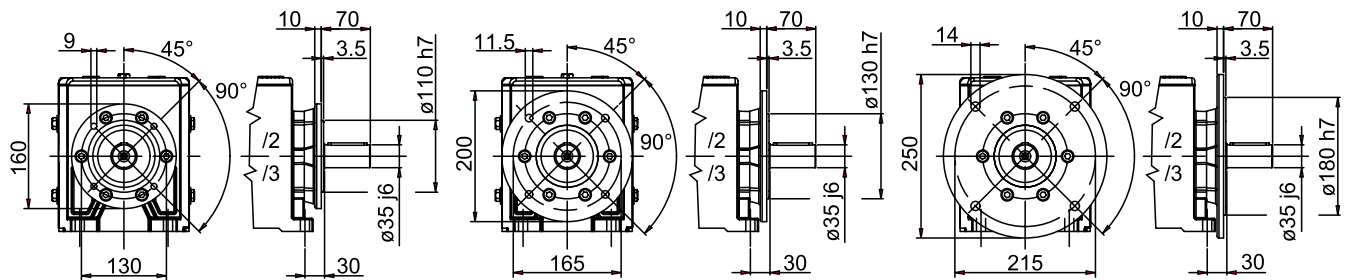
NHL-MNHL



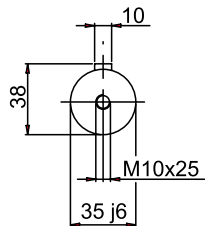
FLANGIA RIPORTATA

MODULAR FLANGE

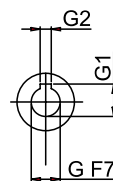
EINGEBAUTER FLANSCH



ALBERO USCITA
OUTPUT SHAFT
ABTRIEBSWELLE



ALBERO ENTRATA
INPUT SHAFT
ANTRIEBSWELLE



| 35/2 - 35/3 | G | G1 | G2 | F | F1 | F2 | F3 | F4 | H |
|--------------------|----|------|----|-----|-----|-----|------|----|-----|
| /2 ... 71 B5 | 14 | 16,3 | 5 | 160 | 130 | 110 | 10 | 9 | 332 |
| /2F ... 71 B5 | | | | | | | | | |
| /2 ... 80 B5 | 19 | 21,8 | 6 | 200 | 165 | 130 | 11 | 11 | 326 |
| /2F ... 80 B5 | | | | | | | | | |
| /2 ... 90 B5 | 24 | 27,3 | 8 | 200 | 165 | 130 | 11 | 11 | 326 |
| /2F ... 90 B5 | | | | | | | | | |
| /2 ... 100-112 B5 | 28 | 31,3 | 8 | 250 | 215 | 180 | 13 | 13 | 326 |
| /2F ... 100-112 B5 | | | | | | | | | |
| /2 ... 132 B5 | 38 | 41,3 | 10 | 300 | 265 | 230 | 15 | 14 | 342 |
| /2F ... 132 B5 | | | | | | | | | |
| /3 ... 56 B5 | 9 | 10,4 | 3 | 120 | 100 | 80 | 8 | 7 | 318 |
| /3F ... 56 B5 | | | | | | | | | |
| /3 ... 63 B5 | 11 | 12,8 | 4 | 140 | 115 | 95 | 12 | 9 | 317 |
| /3F ... 63 B5 | | | | | | | | | |
| /3 ... 71 B5 | 14 | 16,3 | 5 | 160 | 130 | 110 | 10,5 | 9 | 316 |
| /3F ... 71 B5 | | | | | | | | | |
| /3 ... 80 B5 | 19 | 21,8 | 6 | 200 | 165 | 130 | 10,5 | 11 | 316 |
| /3F ... 80 B5 | | | | | | | | | |