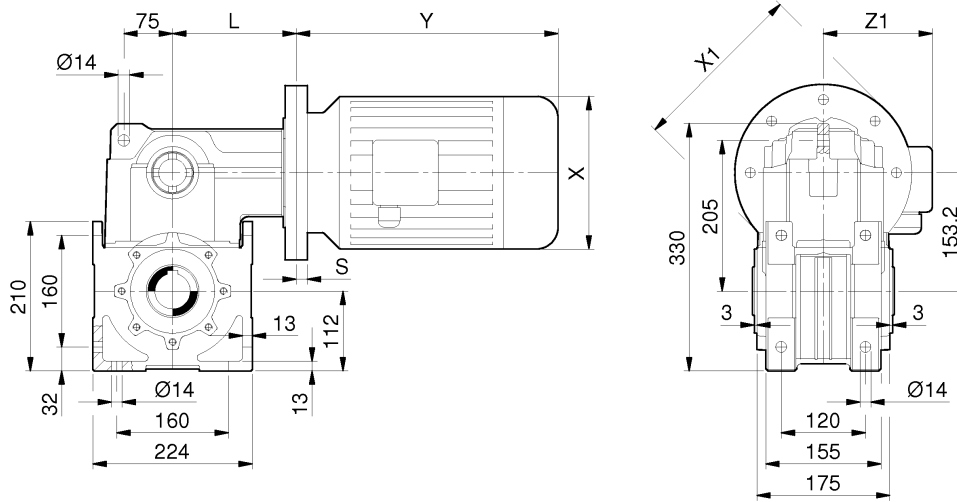
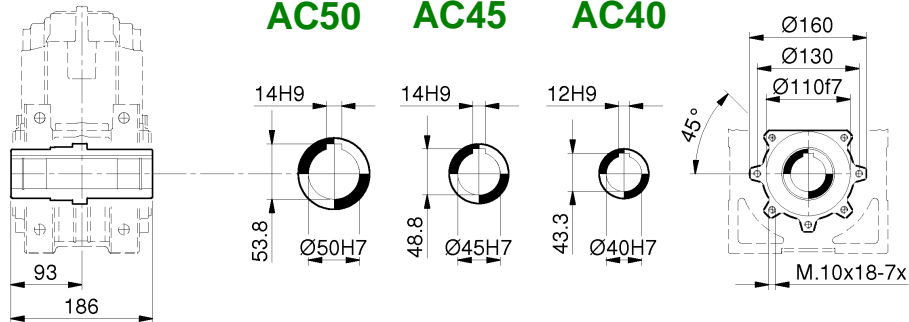


Dimensioni - Dimensions - Abmessungen

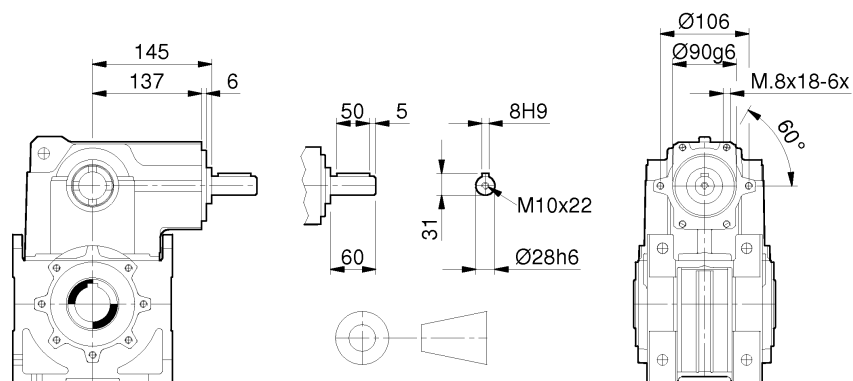
**MRV
FRV**



AC50 AC45 AC40



RV



| | | | | | | | |
|--------------|-------------|-------------|-------------|-------------|-------------|-------------|-----------------|
| RV | 43 | 43 | 43 | 43 | 43 | 43 | 43 |
| IEC | 71 | 80 | 90 S | 90 L | 100 | 112 | 132 S/ M (IEC) |
| X / Y / Z1 | 140/220/121 | 159/238/138 | 176/255/149 | 176/280/149 | 195/314/160 | 219/328/172 | 258/368-410/192 |
| X1 (B5) / S | 160/18 | 200/18 | 200/18 | 200/18 | 250/18,5 | 250/18,5 | 300/18 |
| X1 (B14) / S | --- | --- | --- | --- | 160/18 | 160/18 | 200/18 |
| L (RV43) | 155 | 155 | 155 (157) | 155 (157) | 155,5 (155) | 155,5 (155) | 174,5 |