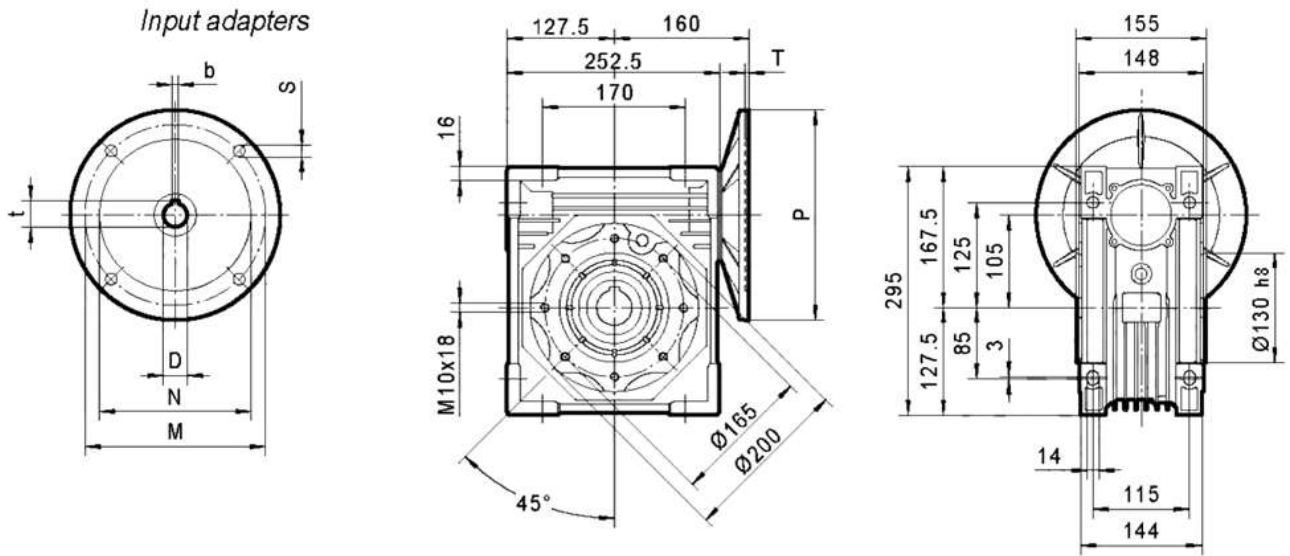
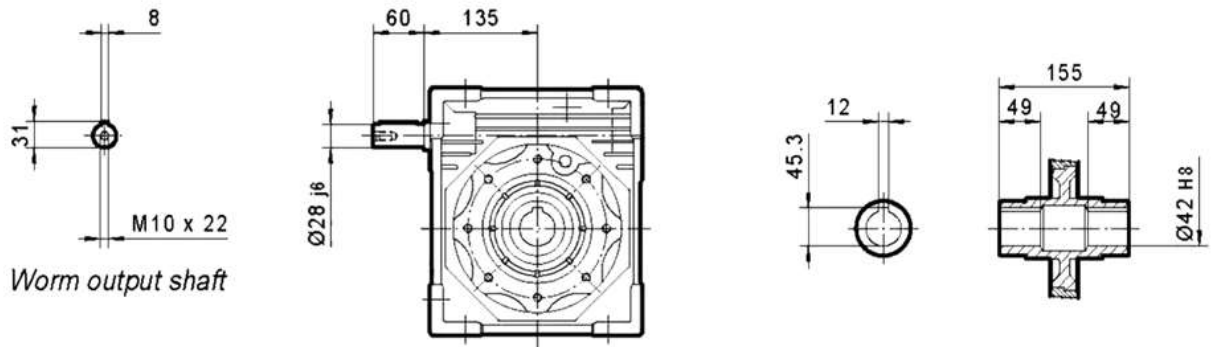


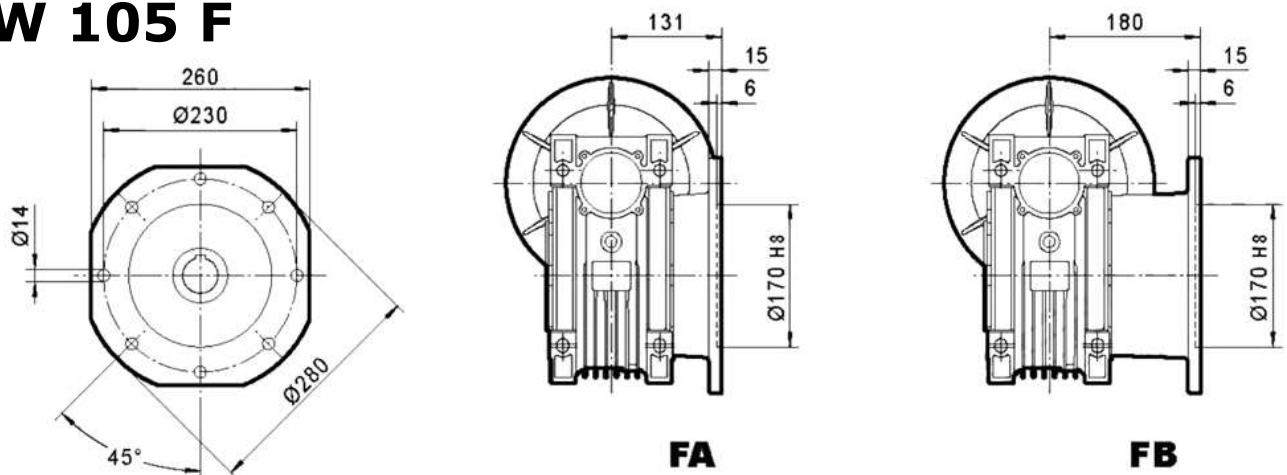
ATW 105 IEC



ATW 105 HS



ATW 105 F



IEC	D _{E8}	b	t	P	M	N	S	T
80B5	19	6	21.8	200	165	130	11	4
90B5	24	8	27.3	200	165	130	11	4
100B5	28	8	31.3	250	215	180	14	4.5
112B5	28	8	31.3	250	215	180	14	4.5
132B5	38	10	41.3	300	265	230	14	4.5

Weight without motor ≈ 35 kg